

Model PSC

Car, Building Purpose High Performance Pressure Transducer

Description

PSC is compact size to vehicles and heavy machinery. It is also suitable for low pressure measurement and precise measurement. It builds an amplifier to interface with various kinds of controllers.

Features

- ▶ CE Certified
- ▶ VDC, mA output
- ▶ Measuring range 0~35MPa
- ▶ 0.25%FS accuracy
- ▶ IP55 protection(Cable type)
- ▶ Gauge and absolute measurement
- ▶ Piezoresistive silicon cell
- ▶ Stainless steel media-wetted materials

Applications

- ▶ Off road equipment
- ▶ Hydraulics & Pneumatic
- ▶ Compressor control
- ▶ Industrial engines
- ▶ Pump pressure control



Specifications

Range

0 ~ 5, 10, 20, 30, 50, 100, 200, 300, 500, 700kPa / 2, 3.5, 7, 20, 35MPa(Gauge)
-100 ~ 0, 30, 50, 100, 200, 300, 500, 700kPa (Gauge)
0 ~ 100, 200, 300, 500, 700kPa / 2, 3.5, 7, 20, 35MPa (Absolute)

Performance

Accuracy	±0.25%FS(RSS)
Thermal Effect on Zero	±0.05%FS/°C
Thermal Effect on Span	±0.05%FS/°C
Compensated Temperature Range	-10 ~ 70°C
Operating Temperature Range	-20 ~ 100°C (Optional -30~120°C)

Electrical

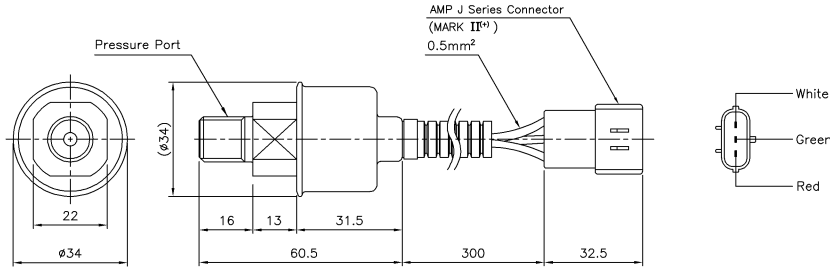
Excitation	11 ~ 28VDC
Output	0~5VDC, 1~5VDC, 0~10VDC, 4~20mA(2Wire)
Electrical Connection	Connector, Cable, AMP Connector(1~5VDC 3Wire Only), Head, Din Connector

Physical

Proof Pressure	300%FS Max.
Burst Pressure	500%FS Min.
Vibration	49.1m/s ² {5G}, 10~500Hz
Shock	490m/s ² {50G}
Pressure port	R(PT)1/8", G(PF)1/8", R(PT)1/4", G(PF)1/4", R(PT)3/8", G(PF)3/8"
Media-Wetted Materials	Stainless Steel 304, 316L, VITON
Weight	Approx. 130g (AMP Connector Type)

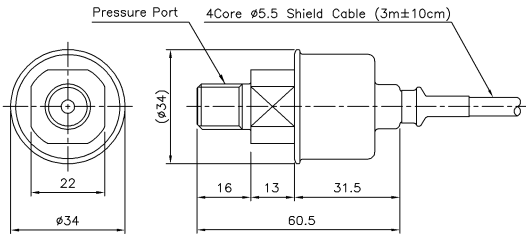
Dimension

▶ AMP Connector Type



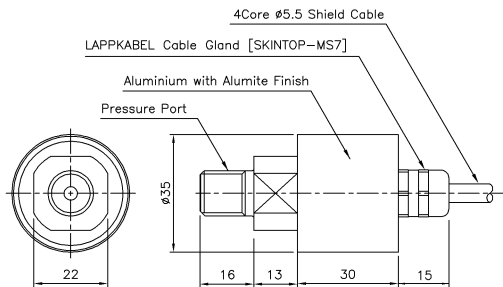
Wire Color	Connections
Red	Input ⊕
White	Common ⊖
Green	Output ⊕

▶ Cable Type



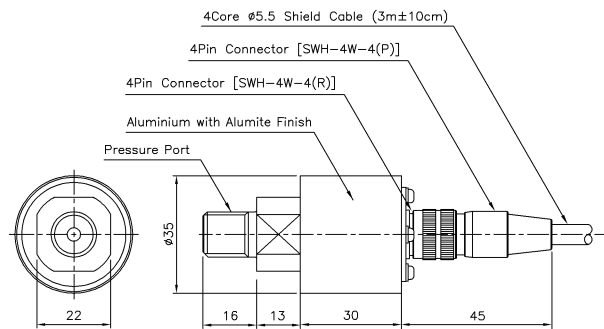
Wire Color	Connections		
	4Wire	3Wire	2Wire
Red	Input ⊕	Input ⊕	Input ⊕
White	Output ⊖	Common ⊖	×
Black	Input ⊖	×	Output ⊕
Green	Output ⊕	Output ⊕	×
Shield	Earth	Earth	Earth

▶ Cable Gland Type



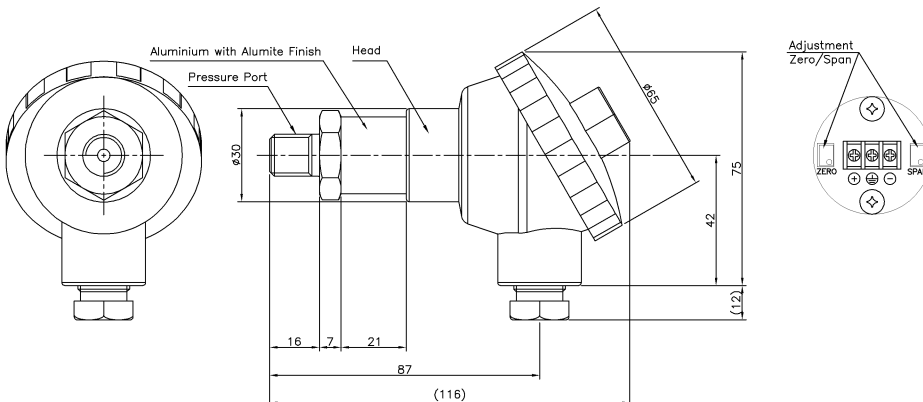
Wire Color	Connections		
	4Wire	3Wire	2Wire
Red	Input ⊕	Input ⊕	Input ⊕
White	Output ⊖	Common ⊖	×
Black	Input ⊖	×	Output ⊕
Green	Output ⊕	Output ⊕	×
Shield	Earth	Earth	Earth

▶ Connector Type



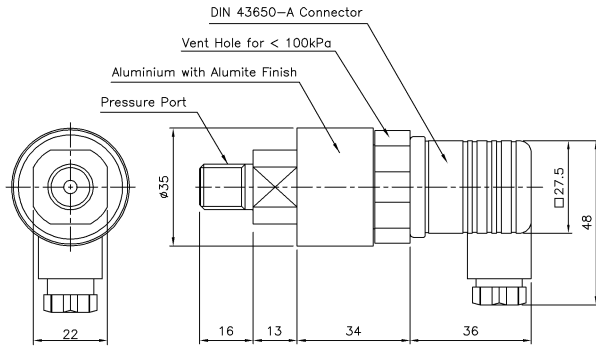
Pin No.	Wire Color	Connections		
		4Wire	3Wire	2Wire
1	Red	Input ⊕	Input ⊕	Input ⊕
2	White	Output ⊖	Common ⊖	×
3	Black	Input ⊖	×	Output ⊕
4	Green	Output ⊕	Output ⊕	×
5	Shield	Earth	Earth	Earth

▶ Head Type



No.	Connections
	2Wire
+	Input ⊕
⊖	Earth
-	Output ⊕

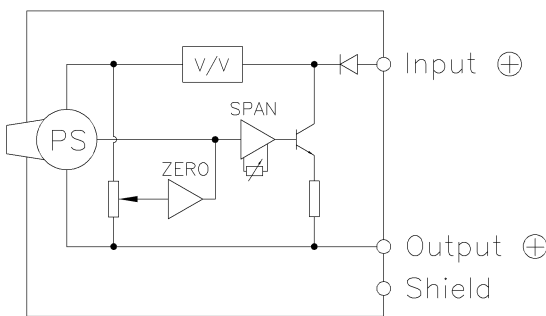
► Din connector Type



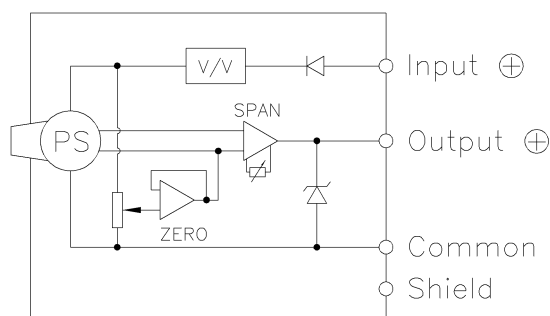
Pin No.	Connections	
	3Wire	2Wire
1	Input ⊕	Input ⊕
2	Common ⊖	Output ⊕
3	Output ⊕	×
⊕	Earth	Earth

Internal Circuit Diagram

► 2Wire mA Output Type



► 3, 4Wire mA, VDC Output Type



Ordering Information

Model Name P S C E 0005 R A P G - □

Option
B : Temperature Range -30~120℃

Type of Pressure Measurement
G : Gauge
J : Absolute

Connecting Methods
P : Connector
C : Cable
F : AMP Connector
H : Head
I : Din 43650-A connector
S : Cable Gland

Pressure port
A : R(PT)3/8" D : G(PF)1/4"
B : G(PF)3/8" G : R(PT)1/8"
C : R(PT)1/4" H : G(PF)1/8"

Output
B : 4Wire 0~5V H : 2Wire 4~20mA
C : 3Wire 0~5V J : 3Wire 0~10V
D : 4Wire 1~5V K : 4Wire 0~10V
E : 3Wire 1~5V

Pressure Range
XXXX : Pressure
CXXX : Compound Pressure

Pressure Unit
R : kPa M : MPa
B : bar K : kgf/cm²
P : psi H : mmHg
C : cmH₂O