

# Model SSG

## Digital Pressure Gauge / Switch

### Description

SSG model contains Microprocessor in default. Moreover, it is a Pressure Gauge / Switch with characteristics of LED Display, 1~5VDC or 4~20mA(3wire) Analog Output, 2-Channel RELAY Output. Since it uses IP65 structure, there is no limitation with environmental conditions. As Pressure Sensor, Indicator and Switch are integrated in order to realize providing it at low price.

### Features

- ▶ IP65 Protection
- ▶ LED display(Height 10mm)
- ▶ Built-in amplifier circuit(1~5VDC, 4~20mA)
- ▶ Optional 2-channel Relay switching output
- ▶ Measuring range -0.1~150MPa
- ▶ 0.8%FS accuracy
- ▶ 18~26VDC excitation voltage

### Applications

- ▶ Process control
- ▶ Hydraulics & Pneumatic
- ▶ Compressor Control
- ▶ Chillers
- ▶ Refrigeration Equipment



### Specifications

SSG **A** / **C**

SSG **B** / **D**

#### Range

0~5, 10, 20, 30, 50, 100, 200, 300, 500, 700kPa / 1, 2, 3, 5, 10, 20, 30, 50, 100, 150MPa (Gauge)  
-100 ~ 0, 30, 50, 100, 200, 300, 500, 700kPa (Gauge)

#### Performance

Accuracy  $\pm 0.8\%FS \pm 1 \text{ digit}$   
Thermal Effect on Zero  $\pm 0.08\%FS/^\circ C$   
Thermal Effect on Span  $\pm 0.08\%FS/^\circ C$   
Compensated Temperature Range  $-10 \sim 70^\circ C$   
Operating Temperature Range  $-20 \sim 80^\circ C$

#### Electrical

Display		LED(Red Color)
	Max Readout	$\pm 1999(3 \frac{1}{2})$
	Height of Digits	10mm
Excitation		18 ~ 26VDC
Output		
	Switching Signal	-
	Analog Signal	1~5VDC, 4~20mA(3Wire)
Electrical Connection	Cable	DIN Connector

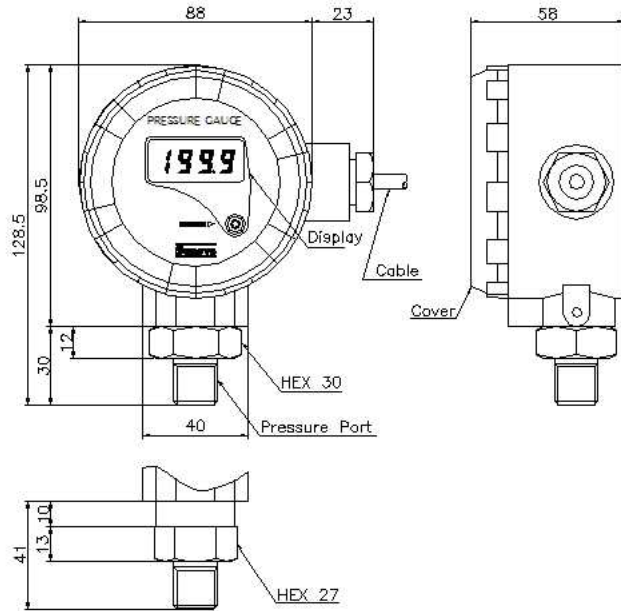
#### Physical

Proof Pressure	150%FS Max.
Burst Pressure	200%FS Min.
Vibration	49.1m/s <sup>2</sup> {5G}, 10~500Hz
Shock	490m/s <sup>2</sup> {50G}
Pressure Port	R(PT)3/8", Other Connection Available on Request
Media-Wetted Materials	Stainless Steel 304, 316 or Titanium 87%, EPDM
Protection	IP65
Weight	Approx. 700g (Standard type only)

## Dimension

### ▶ SSGA/SSGC(Standard Type)

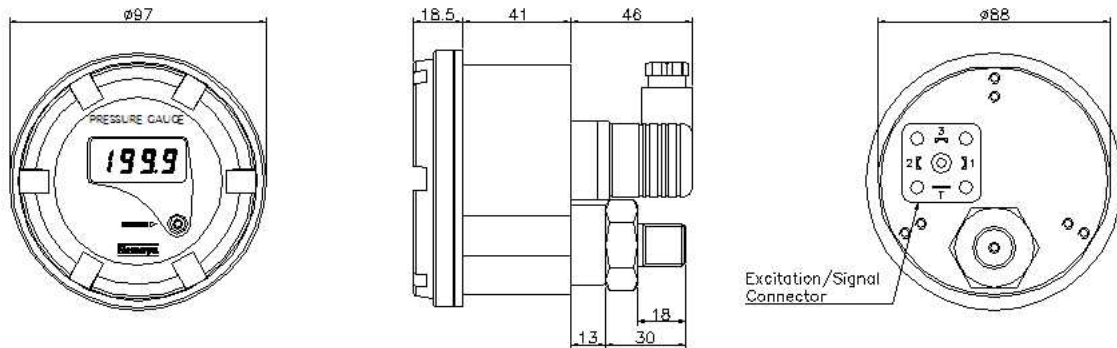
#### ● Stand Type



Wire Color	Connections
Red	Input ⊕
White	Common ⊖
Green	Output ⊕
Shield	Earth

200kgf/cm<sup>2</sup> above Pressure Port

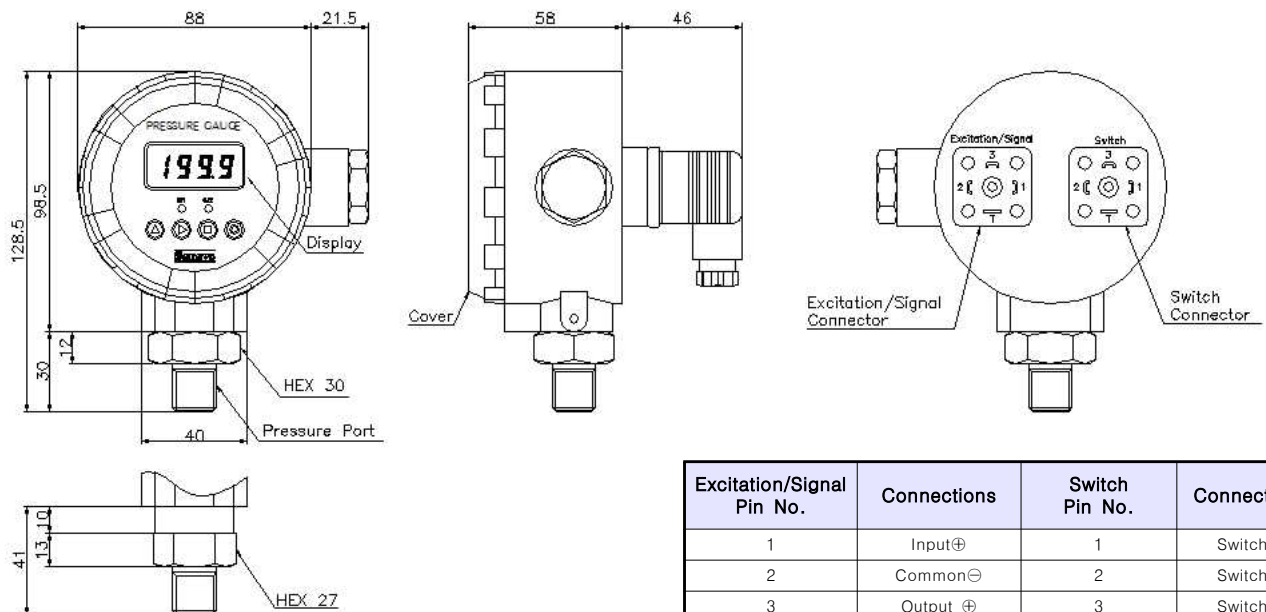
#### ● Panel Mounting Type



Excitation/Signal Pin No.	Connections
1	Input ⊕
2	Common ⊖
3	Output ⊕
⊕	Earth

### ▶ SSGB(Switch Output Type)

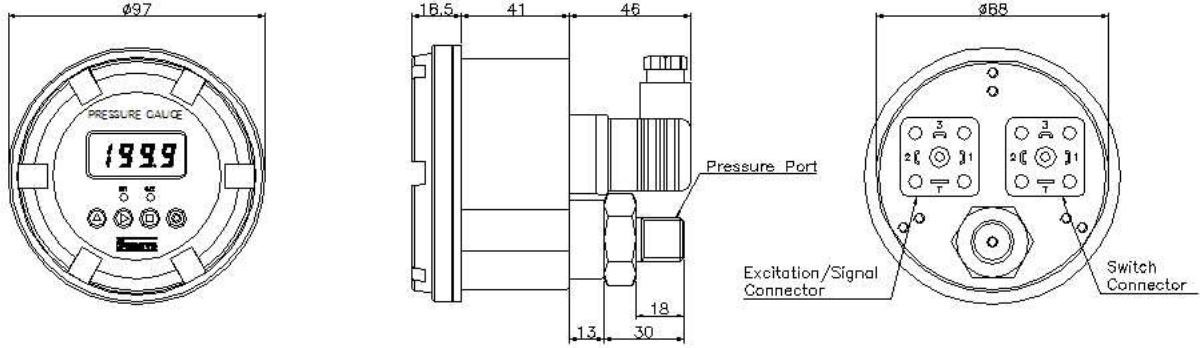
#### ● Stand Type



200kgf/cm<sup>2</sup> above Pressure Port

Excitation/Signal Pin No.	Connections	Switch Pin No.	Connections
1	Input ⊕	1	Switch 1
2	Common ⊖	2	Switch 1
3	Output ⊕	3	Switch 2
⊕	Earth	⊕	Switch 2

● Panel Mounting Type



Excitation/Signal Pin No.	Connections	Switch Pin No.	Connections
1	Input ⊕	1	Switch 1
2	Common ⊖	2	Switch 1
3	Output ⊕	3	Switch 2
⊕	Earth	⊕	Switch 2

**Ordering Information**

**SSG A 01.00 M A A**

<p><b>Model Name</b></p> <hr/> <p><b>Output</b></p> <p>A : 1~5V          B : 2-Ch. Relay, 1~5V          C : 4~20mA(3Wire)          D : 2-Ch. Relay, 4~20mA(3Wire)</p> <p><b>Pressure Range(Display Digit)</b></p> <p>XXXX : Pressure          CXXX : Compound Pressure</p>	<p><b>Type</b></p> <p>A : Stand Type          B : Panel Mounting Type</p> <p><b>Pressure port</b></p> <p>A : R(PT)3/8"      D : G(PF)1/4"          B : G(PF)3/8"      E : R(PT)1/2"          C : R(PT)1/4"      Q : G(PF)1/2"</p> <p><b>Pressure Unit</b></p> <p>R : kPa                      M : MPa          B : bar                      K : kgf/cm<sup>2</sup>          P : psi                      H : mmHg          C : cmH<sub>2</sub>O</p>
--	---



**SENSOR SYSTEM TECHNOLOGY CO., LTD.**

ADD : RM5010, Ansan Digital Park, 1123 Singil-Dong,  
 Danwon-Gu, Ansan-Si, Gyeonggi-Do, Korea  
 TEL : 82-31-310-8910~9  
 FAX : 82-31-310-8920  
 http://www.sensys.co.kr  
 e-mail : master@sensys.co.kr

· Specifications are subject to change without notice.