

Model DWS

Wet / Wet Differential Pressure Transducer

Description

DWS model, it is suitable measuring for high precise measurement and differential pressure. DWS can be against corrosive material owing to Media-Wetted materials are composed stainless steel 316L. DWS strength point is in-amplification circuit, It can be helpful communication of variety controllers.

Features

- ▶ VDC, mA output
- ▶ Measuring range 0~3.5MPa diff.
- ▶ 0.25%FS accuracy
- ▶ IP65 protection(DIN Connector type)
- ▶ Differential Pressure measurement
- ▶ Piezoresistive silicon cell
- ▶ Stainless steel media-wetted materials

Applications

- ▶ Corrosive Fluid and Gas Measurement Systems
- ▶ Liquid Level Controls
- ▶ Tank Level Measurement
- ▶ Leak Tester System

Specifications



Range

0~20, 30, 50, 100, 200, 300, 500, 700kPa / 1, 2, 3.5 MPa

Performance

Accuracy	±0.25%FS(RSS)
Thermal Effect on Zero	±0.05%FS/°C
Thermal Effect on Span	±0.05%FS/°C
Compensated Temperature Range	-10 ~ 70°C
Operating Temperature Range	-20 ~ 80°C

Electrical

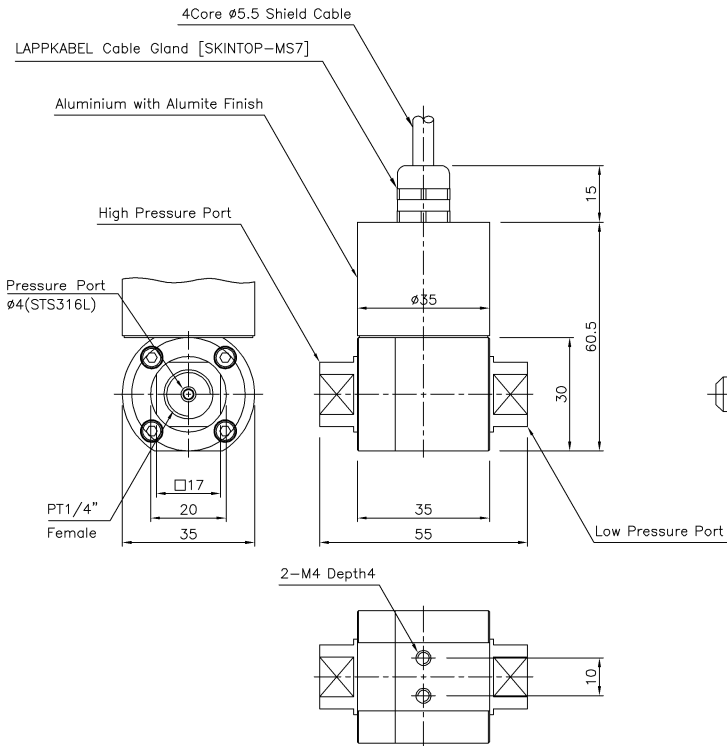
Excitation	11 ~ 28VDC
Output	0~5VDC, 1~5VDC, 0~10VDC, 4~20mA(2Wire)
Electrical Connection	Cable Gland, Connector, Head, Din Connector

Physical

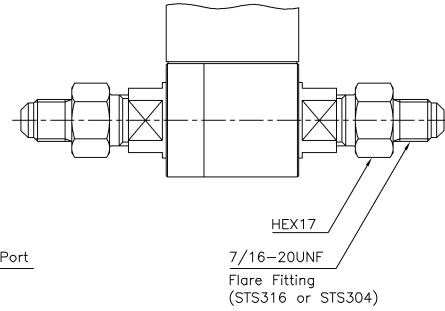
Proof Pressure	300%FS Max. (For Low-Port, Not to exceed 1MPa on all range)
Line(Common Mode) Pressure	7MPa
Vibration	49.1m/s ² {5G}, 10~500Hz
Shock	490m/s ² {50G}
Pressure port	R(PT)1/4"(F), UNF 7/16(Flare Fitting)
Media-Wetted Materials	Stainless Steel 316L, VITON
Weight	Approx. 315g (Connector Type)

Dimension

► Cable Gland Type

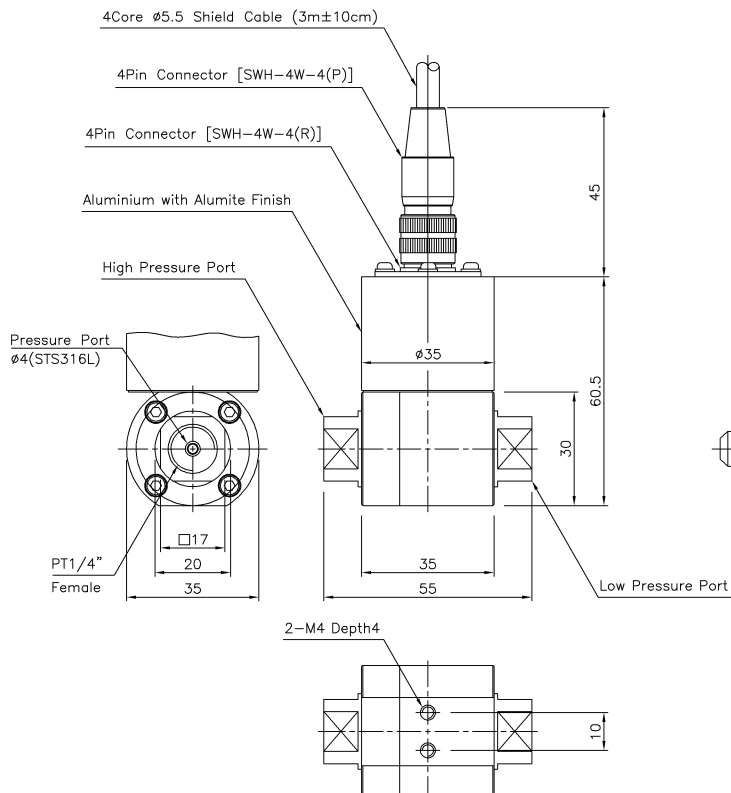


Wire Color	Connections		
	4Wire	3Wire	2Wire
Red	Input \oplus	Input \oplus	Input \oplus
White	Output \ominus	Common \ominus	×
Black	Input \ominus	×	Output \oplus
Green	Output \oplus	Output \oplus	×
Shield	Earth	Earth	Earth

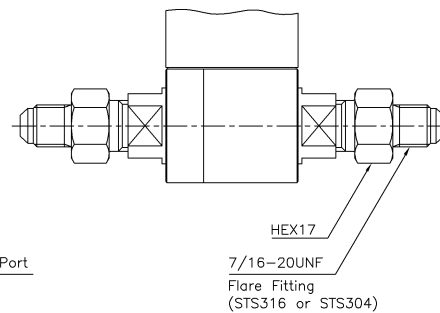


Flare Fitting (Optional)

► Connector Type

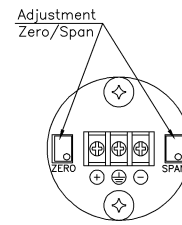
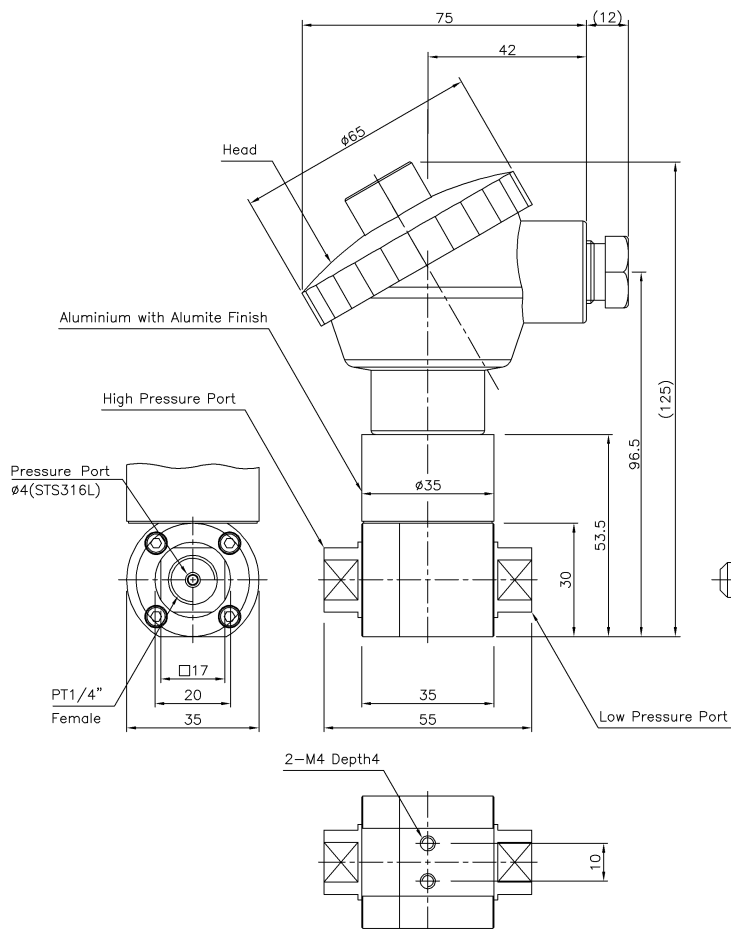


Pin No.	Wire Color	Connections		
		4Wire	3Wire	2Wire
1	Red	Input \oplus	Input \oplus	Input \oplus
2	White	Output \ominus	Common \ominus	×
3	Black	Input \ominus	×	Output \oplus
4	Green	Output \oplus	Output \oplus	×
5	Shield	Earth	Earth	Earth

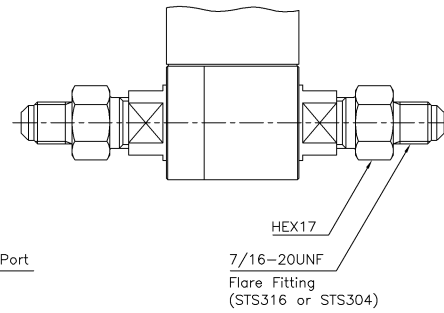


Flare Fitting (Optional)

► Head Type

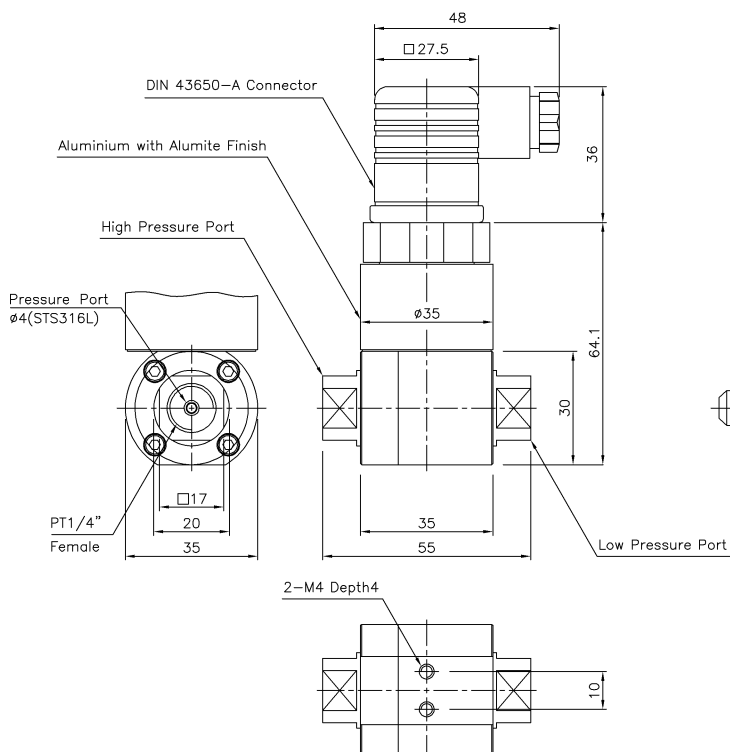


No.	Connections	
	2Wire	
+	Input	\oplus
\oplus	Earth	
-	Output	\oplus

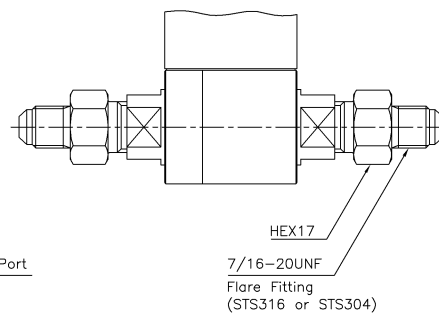


Flare Fitting (Optional)

► Din connector Type



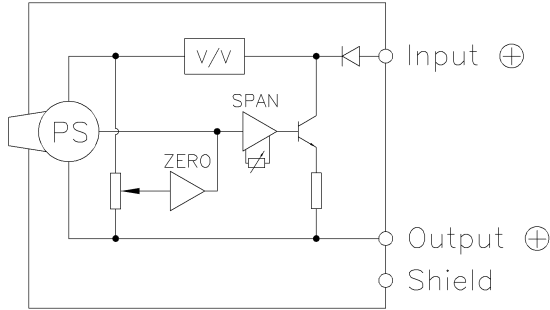
Pin No.	Connections	
	3Wire	2Wire
1	Input \oplus	Input \oplus
2	Common \ominus	Output \oplus
3	Output \oplus	×
\oplus	Earth	Earth



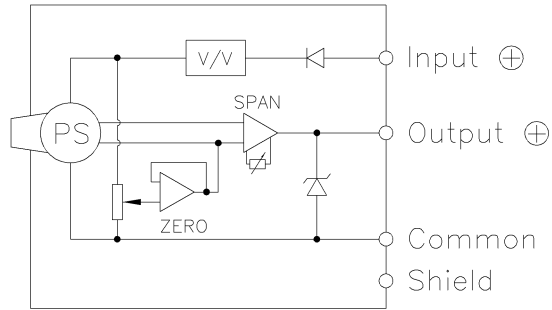
Flare Fitting (Optional)

Internal Circuit Diagram

▶ 2Wire mA Output Type



▶ 3, 4Wire mA, VDC Output Type



Ordering Information

Model Name	DWS	H	0020	R	1	P	A	Option
Output	B : 4Wire 0~5V	H : 2Wire 4~20mA						A : Normal
	C : 3Wire 0~5V	J : 3Wire 0~10V						
	D : 4Wire 1~5V	K : 4Wire 0~10V						
	E : 3Wire 1~5V							
Pressure Range	XXXX : Pressure							Connecting Methods
Pressure Unit	K : kgf/cm ²	B : bar						Pressure port
	P : psi	M : MPa						1 : R(PT)1/4" (Female)
	R : kPa	C : cmH ₂ O						2 : UNF 7/16(Flare Fitting)
	H : mmHg							