

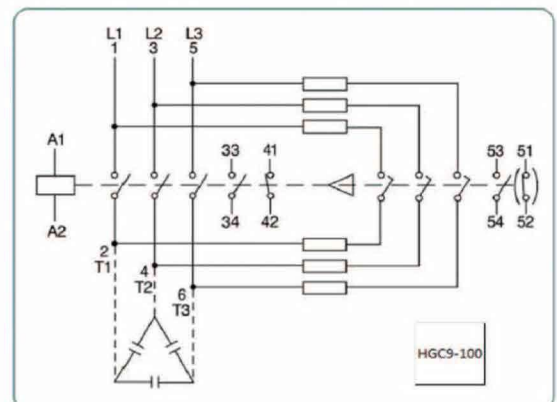
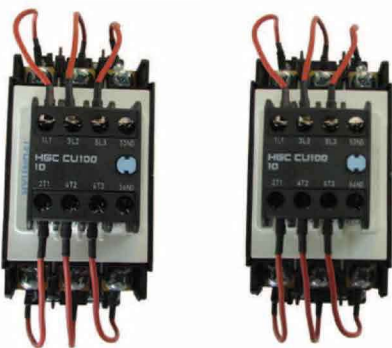


استانداردها: IEC60947
تنظیم جریانی: 0/18 تا 100 آمپر (بدون CT)
48 تا 800 آمپر (همراه با CT)
حفاظت ها: اضافه بار، قطعی فاز
تعداد کنتاکتها: 1NC+1NO
ریست از نوع دستی و اتوماتیک

Model		HGT18	HGT40	HGT65	HGT100	HGT150	HGT265	HGT500	HGT800
Nominal Current	A	0.12 - 18	7 - 40	7 - 65	17 - 100	48 - 150	48 - 265	90 - 500	378 - 800
Setting Current (Min. - Max.)	A	0.12 - 0.18	7 - 10	7 - 10	17 - 25	48 - 80	48 - 80	90 - 150	378 - 630
		0.18 - 0.26	8 - 12	8 - 12	22 - 32	69 - 115	69 - 115	111 - 185	480 - 800
Auxiliary Contacts	A	0.25 - 0.35	12 - 18	12 - 18	28 - 40	78 - 130	78 - 130	135 - 225	
		0.34 - 0.5	15 - 22	15 - 22	34 - 50	90 - 150	90 - 150	159 - 265	
		0.5 - 0.7	17 - 25	17 - 25	45 - 65		111 - 185	180 - 300	
		0.6 - 0.9	22 - 32	22 - 32	52 - 75		135 - 225	240 - 400	
		0.8 - 1.2	28 - 40	28 - 40	59 - 85		159 - 265	300 - 500	
		1.1 - 1.6			34 - 50	70 - 100			
		1.5 - 2.1			45 - 65				
		2 - 3							
		2.8 - 4.2							
		3 - 5							
		4 - 6							
		5.6 - 8							
6 - 9									
8 - 12									
12 - 18									
Auxiliary Contacts		1NO+1NC	1NO+1NC	1NO+1NC	1NO+1NC	1NO+1NC	1NO+1NC	1NO+1NC	1NO+1NC
Applied contactor		HGC9 HGC12 HGC18	HGC25 HGC32 HGC40	HGC50 HGC65	HGC75 HGC85 HGC100	HGC115 HGC130 HGC150	HGC185 HGC225 HGC265	HGC300 HGC400 HGC500	HGC630 HGC800
Dimensions	W x H x D mm	45 x 78.2 x 82.7	45 x 95.5 x 69.4	55 x 110.7 x 89.3	70 x 128.1 x 105	180 x 179.3 x 159	180 x 179.3 x 185	180 x 179.3 x 205.2	245 x 209.9 x 197



نحوه اتصال



Model		HGC9C	HGC12C	HGC18C	HGC25C	HGC32C	HGC40C	HGC50C	HGC65C	HGC75C	HGC85C	HGC100C
AC-6b(3 phase 50/60HZ capacitor)												
Max. Power	220V	5	6.7	8.5	10	14	20	21	25	30	35	50
	230/240V	5	6.7	8.5	10	16	20	24	25	30	35	50
	400/415V	9.7	12.5	16.7	18	27.5	30	40	46	54	60	80
	440V	9.7	12.5	16.7	18	30	33.3	45	46	54	60	80
	500/550V	14	18	24	26	34	48	50	66	78	92	100
	690V	14	18	24	26	45	48	65	66	78	92	100
Electrical lifetime	Up to AC440V	250,000										
	AC550-690V	100,000										
Operation frequency per hour		240										
Auxiliary contact		1NO+0NC 0NO+1NC 1NO+1NC 2NO+2NC										