

FNC DD 36 Series



Features

- EN81-20 compatible
- 5 cm minimum object sensing
- Extremely dense protective field
- Wide operation range
- Robust operation range
- Simple mounting
- Virtually no alignment necessary
- Wide power supply range
- It can be installed in both static and dynamic locations.
- L profile includes a fixing fin on the back, which allows the edge to be fixed without compromising the integrity of the main electronic compartment.

Technical data - Door Detector

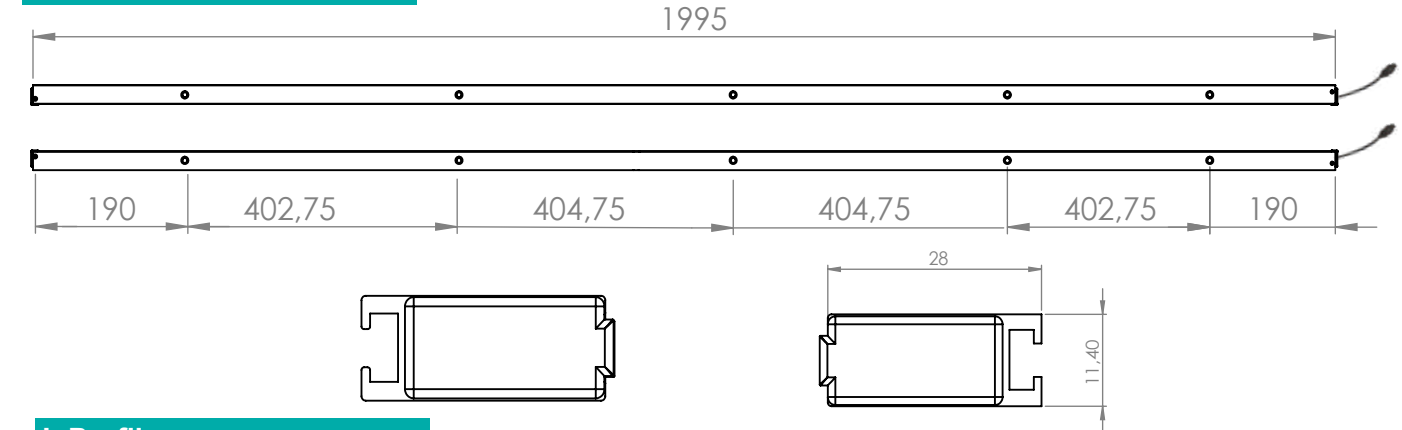
Dimensions	12 x 28 x 2000 mm (C Profile) 12 x 31 x 2000 mm (L Profile)
Housing material	Aluminum
Detection range	0 - 4000 mm
Number of beams	174 Non-Parallel
Number of diodes	36
Detection height	1600 mm
Response time	300 ms
Operating temperature	-20...+65° C
Storage temperature	-20...+85° C
Power indicator	Red LED
Status indicator	LED in receiver Green on : working normal Red on : Fault
Light immunity	<100.000 Lux
Tolerance	Vertical : ±15 mm Horizontal : ±50 mm
Cables length (TX&RX)	4400 mm
Protection degree	IP54

Technical data - Power Unit

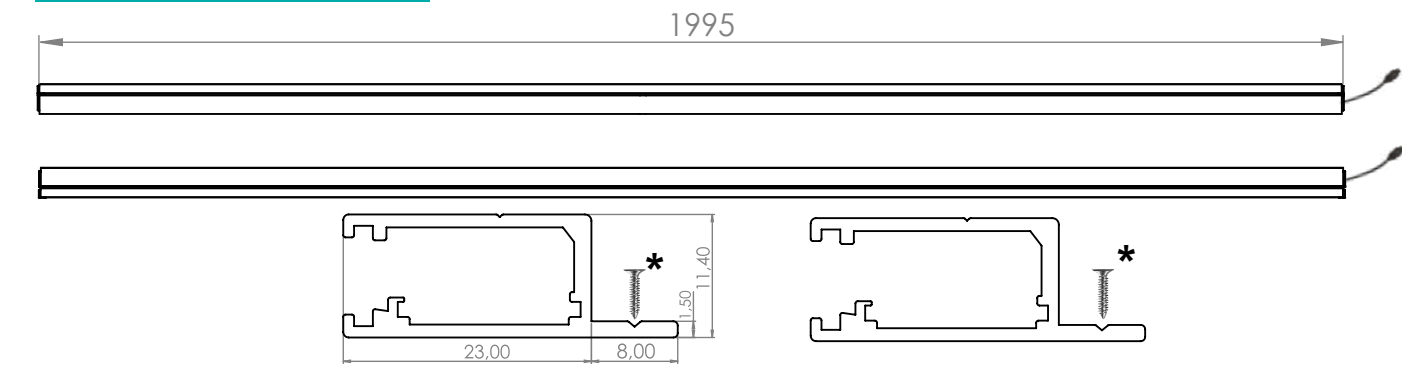
Dimensions	30 x 57 x 133 mm
Operating voltage	85-230 VAC 60 Hz (220V) 14-24 VDC (24V)
Housing material	ABS
Contact ratings	3A - 120 VAC 1A - 250 VAC 3A - 24 VDC
Operating temperature	-20...+65° C
Storage temperature	-20...+85° C
Protection level	IP31
Isolation	> 2000V
Relay life expectancy	operation 100.000
Output	Operational Relay (NO-NC) Nudging Relay (NO)
Power consumption	< 4W

FNC DD 36 Series

C Profile

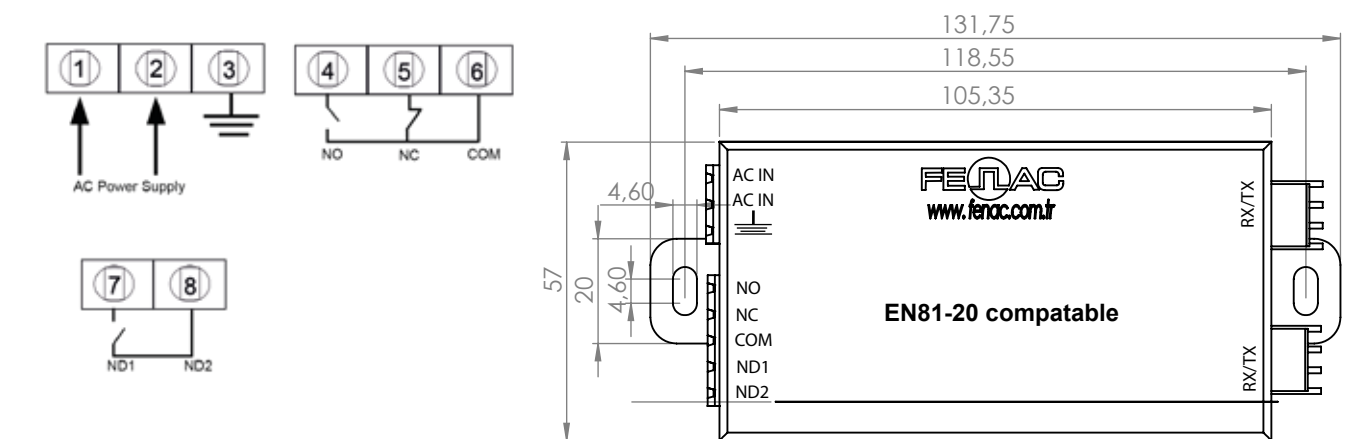


L Profile



All screws(M4*27 countersunk head self drilling screw) are included in the assembly kit.

Power Unit Connections & Dimensions



Door Detector Part Number

