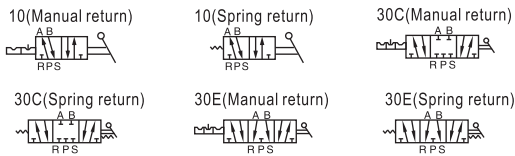


Hand lever valve (5/2 way, 5/3 way)

4H Series



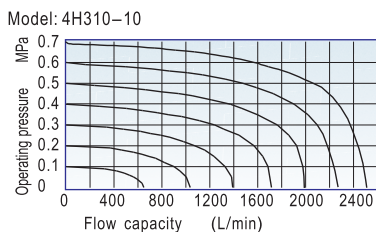
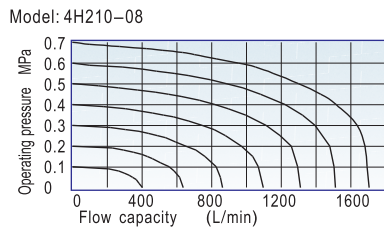
Symbol



Product feature

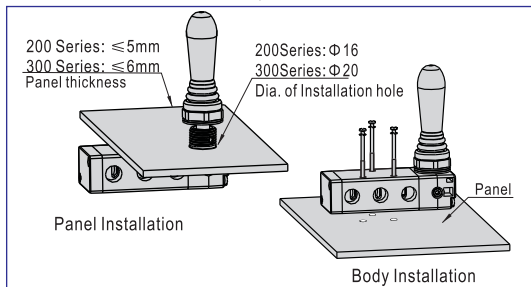
1. Manual operation, smooth actuation, and exact and reliable orientation.
2. Sliding column structure has good tightness and light weight and is easy to install and dismount.
3. Internal hole adopts special processing technology which has little attrition friction, long service life.
4. No need to add oil for lubrication.
5. Panel-mounting makes it convenient to install and apply.

Flow chart



Installation

1. 5/3 way manual return hand lever valve is positioned by steel ball, which is convenient to switch. Please apply the proper force to avoid the position mismatch and misoperation.
2. When installed by panel, disassemble the gasket according to the practical requirement.
3. Below is the installation method for reference.
Note: Please give your attention on the panel thickness and hole dimension when installed by panel.



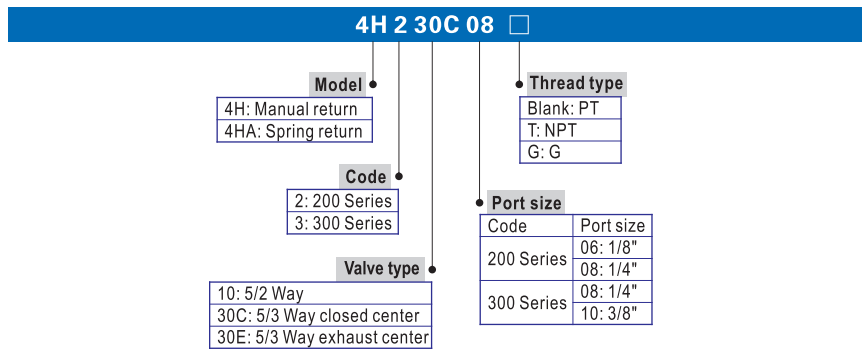
Specification

Model	210-06	230-06	210-08	230-08	310-08	330-08	310-10	330-10
Fluid	Air (to be filtered by 40 μm filter element)							
Operating	Manual control direct acting type							
Port size ^①	In=Out =Exhaust=1/8"		In=Out=1/4"; Exhaust=1/8"		In=Out =Exhaust=1/4"		In=Out=3/8"; Exhaust=1/4"	
Orifice size	14.0mm ² (Cv=0.78)	12.0mm ² (Cv=0.67)	16.0mm ² (Cv=0.89)	12.0mm ² (Cv=0.67)	25.0mm ² (Cv=1.39)	18.0mm ² (Cv=1.00)	30.0mm ² (Cv=1.67)	18.0mm ² (Cv=1.00)
Valve type	5/2 Way	5/3 Way	5/2 Way	5/3 Way	5/2 Way	5/3 Way	5/2 Way	5/3 Way
Lubrication ^②	Not required							
Pressure range	0~0.8MPa(0~116psi)							
Proof pressure	1.5MPa(215psi)							
Temperature	-20~70°C							
Material body	Aluminum alloy							
Operating angle	$\pm 15^\circ$	$\pm 8.5^\circ$	$\pm 15^\circ$	$\pm 8.5^\circ$	$\pm 18^\circ$	$\pm 10^\circ$	$\pm 18^\circ$	$\pm 10^\circ$

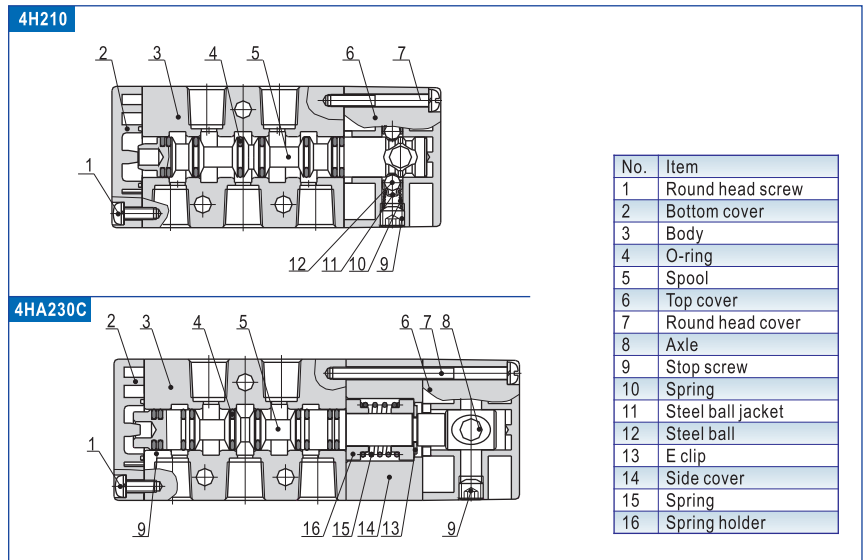
① PT thread, NPT thread and G thread are available;

② Once lubricated air is used, continue with same medium to optimise valve life span. It is suggested to use ISO VG32 lubricant or the oil with the same grade.

Ordering code



Inner structure

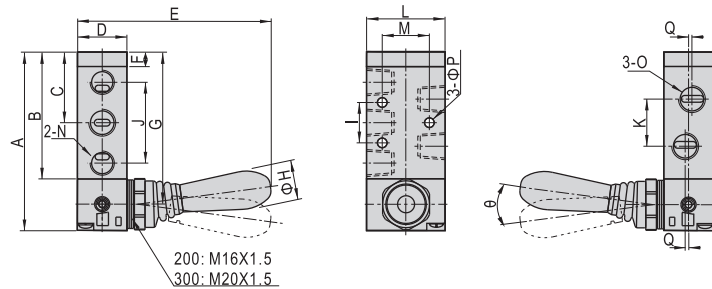


Hand lever valve (5/2 way, 5/3 way)

4H Series

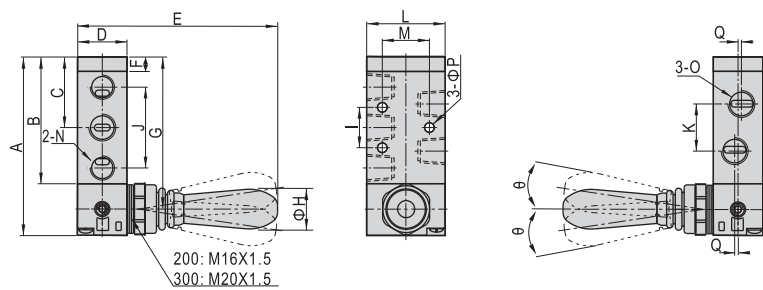
■ Dimensions

4H210\310, 4HA210\310



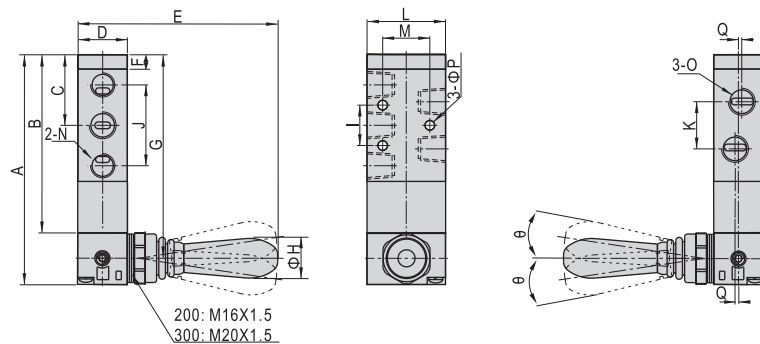
Model\Item	A	B	C	D	E	F	G	H	I	J	K	L	M	N	O	P	Q	∅
4H210-06 4HA210-06	81.5	57.5	32.5	22	90	7.5	69.5	18	20	36	18	35	23.5	1/8"	1/8"	4.3	-	15
4H210-08 4HA210-08	81.5	57.5	32.5	22	90	7.5	69.5	18	20	36	21	35	23.5	1/8"	1/4"	4.3	1.5	15
4H310-08 4HA310-08	101	73	40.5	27	93.5	8	87	18	24	45	22	40	27.5	1/4"	1/4"	4.3	-	18
4H310-10 4HA310-10	101	73	40.5	27	93.5	8	87	18	24	45	24	40	27.5	1/4"	3/8"	4.3	2	18

4H230C\330C, 4H230E\330E



Model\Item	A	B	C	D	E	F	G	H	I	J	K	L	M	N	O	P	Q	∅
4H230C-06 4H230E-06	81.5	57.5	32.5	22	90.5	7.5	69.5	18	20	36	18	35	23.5	1/8"	1/8"	4.3	-	8.5
4H230C-08 4H230E-08	81.5	57.5	32.5	22	90.5	7.5	69.5	18	20	36	21	35	23.5	1/8"	1/4"	4.3	1.5	8.5
4H330C-08 4H330E-08	101	73	40.5	27	94	8	87	18	24	45	22	40	27.5	1/4"	1/4"	4.3	-	10
4H330C-10 4H330E-10	101	73	40.5	27	94	8	87	18	24	45	24	40	27.5	1/4"	3/8"	4.3	2	10

4HA230C\330C, 4HA230E\330E



Model\Item	A	B	C	D	E	F	G	H	I	J	K	L	M	N	O	P	Q	∅
4HA230C-06 4HA230E-06	100.5	76.5	32.5	22	90.5	7.5	88.5	18	20	36	18	35	23.5	1/8"	1/8"	4.3	-	8.5
4HA230C-08 4HA230E-08	100.5	76.5	32.5	22	90.5	7.5	88.5	18	20	36	21	35	23.5	1/8"	1/4"	4.3	1.5	8.5
4HA330C-08 4HA330E-08	120	92	40.5	27	94	8	106	18	24	45	22	40	27.5	1/4"	1/4"	4.3	-	10
4HA330C-10 4HA330E-10	120	92	40.5	27	94	8	106	18	24	45	24	40	27.5	1/4"	3/8"	4.3	2	10



4H